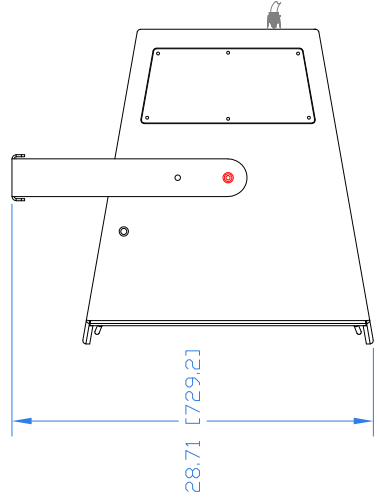


REVISIONS

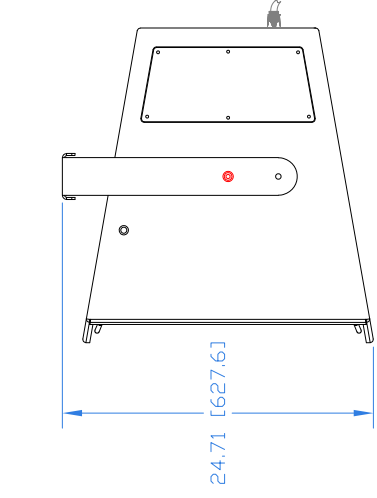
REV	DESCRIPTION	APPR / DATE
1	NEW ISSUE	RAF 1/28/21

Notes:  
 The YK-DF4 yoke bracket is designed to mount DF4 Series loudspeakers in a horizontal orientation. It is fitted with two mounting holes which allow the installer to vary the distance between the loudspeaker enclosure and the mounting surface.

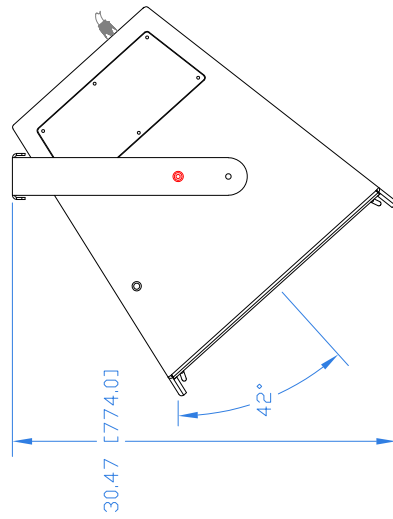
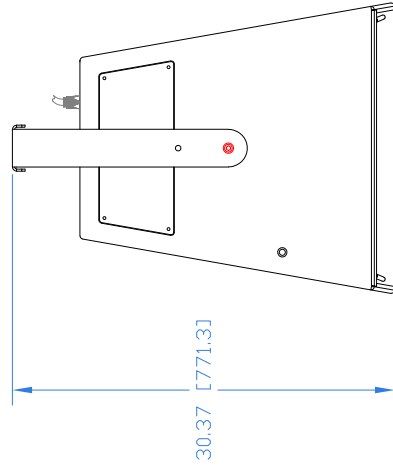
Note that the range of motion is restricted when the enclosure is mounted closer to the yoke. The maximum range of motion is achieved when the enclosure is mounted to the holes nearest the end of the bracket arms.



MOUNTING POSITION 1



MOUNTING POSITION 2



THIRD ANGLE PROJECTION

THIS DRAWING IS THE PROPERTY OF FULCRUM ACOUSTIC AND SHALL NOT BE COPIED, REPRODUCED OR USED AS THE BASIS FOR MANUFACTURE OR SALE OF APPARATUS WITHOUT WRITTEN AUTHORIZATION.  
 DO NOT SCALE DRAWING.

UNLESS OTHERWISE SPECIFIED:  
 ALL DIMENSIONS ARE IN INCHES  
 TOLERANCE IN INCHES  
 .X±.1 .XX±.015 .XXX±.005  
 FRACTIONS ±1/32  
 ANGLES ±1/2°  
 (X.XXX) = REF DIMS NO TOLERANCE IMPLIED  
 TSC = THEORETICAL SHARP CORNER  
 DIMENSIONS ACROSS CENTERLINES  
 TO BE SYMMETRICAL

STATUS	PRODUCTION
APPROVALS	DATE
DRAWN: RAF	1/28/21
CHECKED:	
DES ENG:	
MFG ENG:	

FULCRUM ACOUSTIC, LLC  
 670 LINWOOD AVE, LINWOOD, MA 01525 USA

TITLE:  
 Mechanical Spec,  
 YK-DF4 + DF4xx Assembly

A SHEET 1 OF 1 SCALE: 1:16

DWG. NO. 820-300-048 REV 1