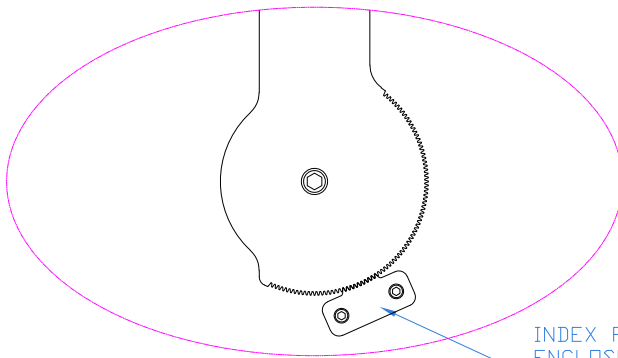
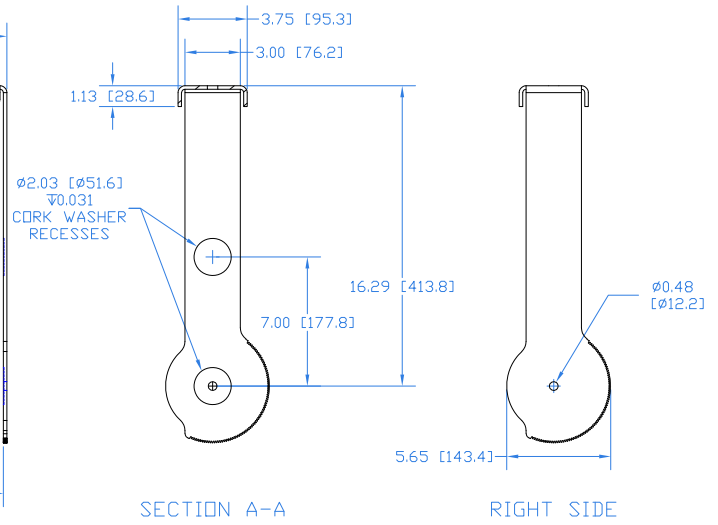
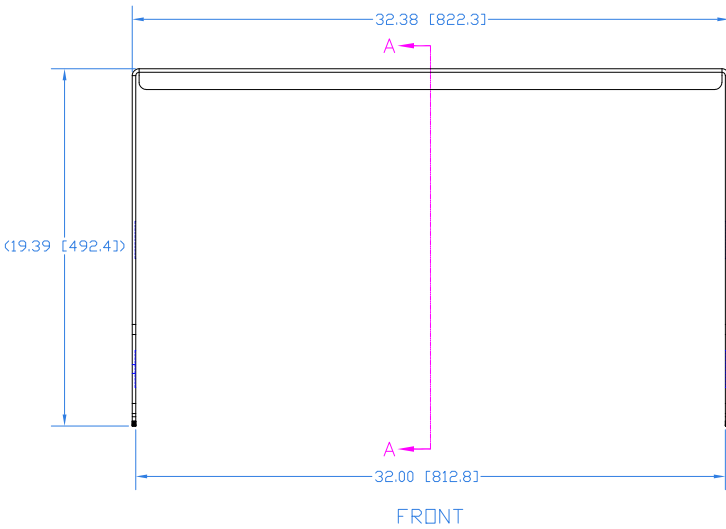
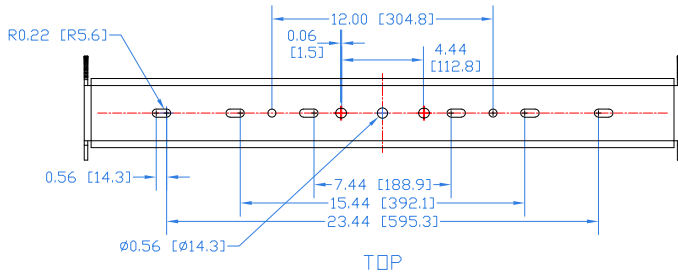


NOTES:

1. FITS: AHC265, AHC295
2. NET WEIGHT: 17.0 lb / 7.7 kg
3. MATERIAL: 7 GA ASTM A36 STEEL
4. INCLUDES HARDWARE KIT
5. USE FOR OVERHEAD CEILING MOUNT ONLY

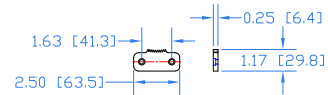
REVISIONS

REV	DESCRIPTION	APPR / DATE
1	NEW ISSUE	RAF 4/14/22
2	UPDATE MODEL NAME	RAF 5/24/22
3	ADD "CEILING MOUNT" TO DESCRIPTIONS	RAF 4/4/23

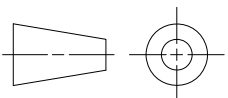


INDEX PLATE BOLTS TO ENCLOSURE TO FIX TILT ANGLE IN 2° INCREMENTS (SHOWN 2X SCALE)

INDEX PLATE (2 pcs)



THIRD ANGLE PROJECTION



THIS DRAWING IS THE PROPERTY OF FULCRUM ACOUSTIC, AND SHALL NOT BE COPIED, REPRODUCED, OR USED AS THE BASIS FOR MANUFACTURE OR SALE OF APPARATUS WITHOUT WRITTEN AUTHORIZATION. DO NOT SCALE DRAWING.

UNLESS OTHERWISE SPECIFIED: ALL DIMENSIONS ARE IN INCHES

TOLERANCE IN INCHES
 .X±.1 .XX±.015 .XXX±.005
 FRACTIONS ±1/32
 ANGLES ±1/2°

(X.XX) = REF DIMS NO TOLERANCE IMPLIED

TSC = THEORETICAL SHARP CORNER

DIMENSIONS ACROSS CENTERLINES TO BE SYMMETRICAL

STATUS RELEASED

APPROVALS	DATE
DRAWN: RAF	4/14/22
CHECKED: DEW	4/14/22
DES ENG:	
MFG ENG:	



FULCRUM ACOUSTIC, LLC
 670 LINWOOD AVE, LINWOOD, MA 01525 USA

TITLE: Mech Spec, YK-AHC2x5 Ceiling Mount Yoke Bracket

A SHEET 1 OF 1 SCALE: 1:12

DWG. NO. 820-300-049 REV 3