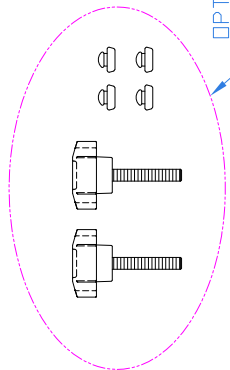
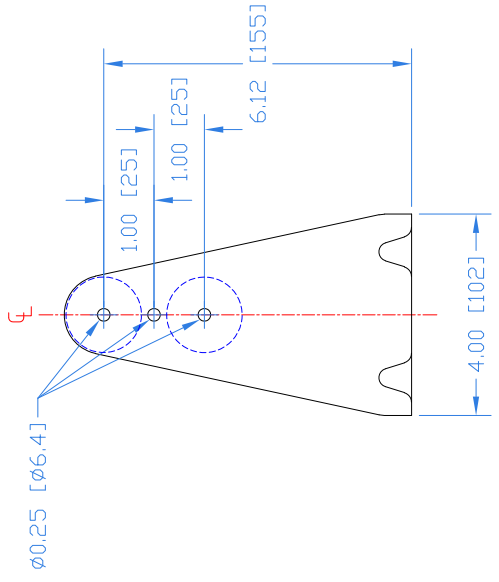
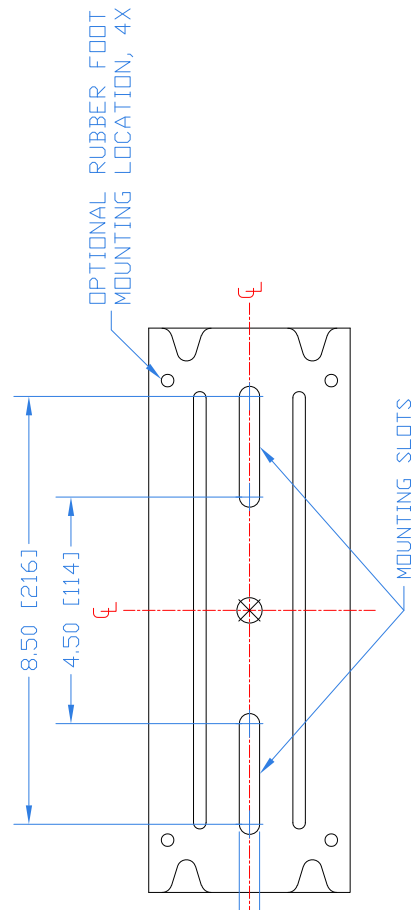
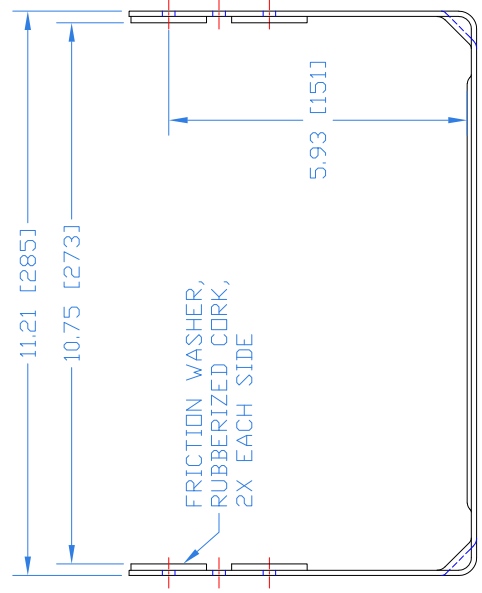


REVISIONS

REV	DESCRIPTION	APPR / DATE
1	NEW ISSUE	4/30/12
2	ADDED NOTES RE: FLOOR STAND KIT	7/19/12
3	ADDED NOTES RE: WR CAB FIT	11/13/14
4	CHANGE BRACKET NAME TO YK-RX6	1/13/22

- Notes:
1. FITS: RX699, RX699-WR, RX699-MT60, RX699-MT60-WR
 2. WEIGHT: 2.0 LBS (0.9 KG)
 3. INCLUDES TWO M6 SOCKET HEAD CAP SCREWS
 4. SYMBOL \otimes = $\phi 0.51$ [$\phi 12.9$] HOLE FOR USE WITH USER-SUPPLIED THREADED ROD OR TRUSS CLAMP



STATUS	RELEASED	APPROVALS	DATE
DRAWN:	RAF		4/30/12
CHECKED:	DWG		4/30/12
DES ENG:			
MFG ENG:			

UNLESS OTHERWISE SPECIFIED:
ALL DIMENSIONS ARE IN INCHES
TOLERANCE IN INCHES
.XX±.015 .XXX±.005
FRACTIONS ±1/32
ANGLES ±1/2°
(XXX) = REF DIMS NO TOLERANCE IMPLIED
TSC = THEORETICAL SHARP CORNER
DIMENSIONS ACROSS CENTERLINES
TO BE SYMMETRICAL

THIRD ANGLE PROJECTION

THIS DRAWING IS THE PROPERTY OF FULCRUM ACOUSTIC AND SHALL NOT BE COPIED, REPRODUCED, OR USED AS THE BASIS FOR MANUFACTURE OR SALE OF APPARATUS WITHOUT WRITTEN AUTHORIZATION.
DO NOT SCALE DRAWING.

FULCRUM ACOUSTIC, LLC
670 LINWOOD AVE. LINWOOD, MA 01525 USA

Mechanical Specification: YK-RX6

Scale: 1:4

Sheet: 1 of 1

DWG. NO. 820-300-014

REV 6