

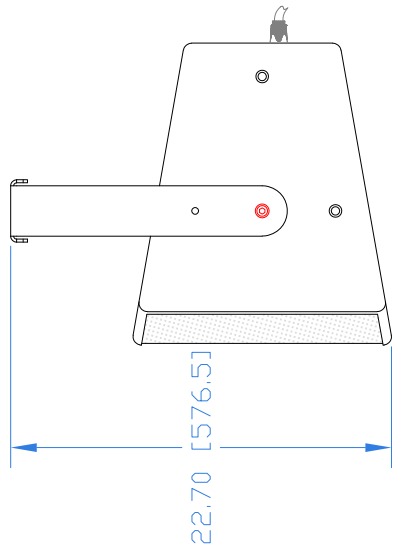
Notes:

The YK-GX15 yoke bracket is designed to mount Prophile M loudspeakers in a horizontal orientation. It is fitted with two mounting holes which allow the installer to vary the distance between the loudspeaker enclosure and the mounting surface.

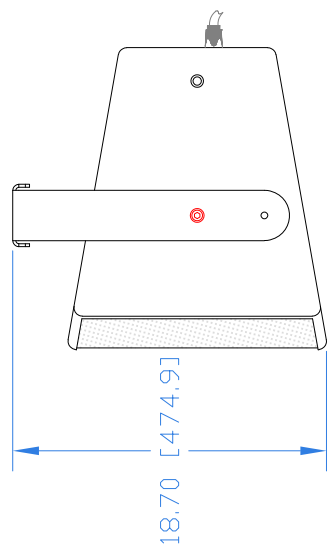
Note that the range of motion is restricted when the enclosure is mounted closer to the yoke. The maximum range of motion is achieved when the enclosure is mounted to the holes nearest the end of the bracket arms.

REVISIONS

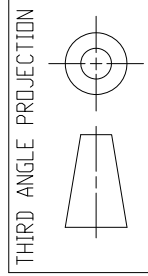
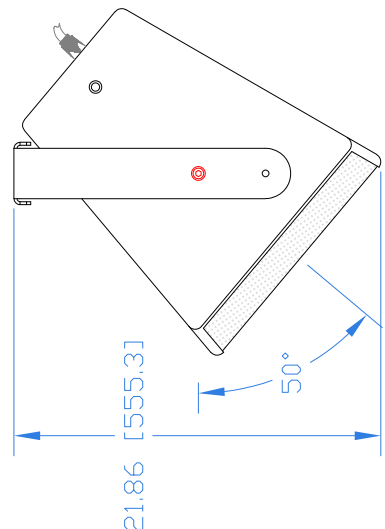
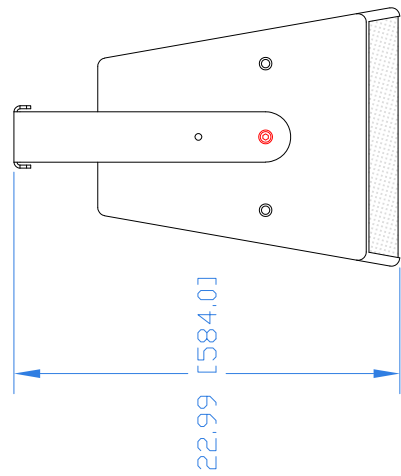
REV	DESCRIPTION	APPR / DATE
1	NEW ISSUE	RAF 01/22/21



[ MOUNTING POSITION 1 ]




[ MOUNTING POSITION 2 ]



THIS DRAWING IS THE PROPERTY OF FULCRUM ACOUSTIC AND SHALL NOT BE COPIED, REPRODUCED, OR USED AS THE BASIS FOR MANUFACTURE OR SALE OF APPARATUS WITHOUT WRITTEN AUTHORIZATION.  
DO NOT SCALE DRAWING.

UNLESS OTHERWISE SPECIFIED:  
ALL DIMENSIONS ARE IN INCHES  
TOLERANCE IN INCHES  
.X±.1 .XX±.015 .XXX±.005  
FRACTIONS ±1/32  
ANGLES ±1/2°  
(X.XXX) = REF DIMS NO TOLERANCE IMPLIED  
TSC = THEORETICAL SHARP CORNER  
DIMENSIONS ACROSS CENTERLINES  
TO BE SYMMETRICAL

STATUS		RELEASED
APPROVALS	DATE	
DRAWN: RAF	01/22/21	
CHECKED:		
DES ENG:		
MFG ENG:		

 FULCRUM ACOUSTIC, LLC 670 LINDSEY AVE., WETTINGVILLE, PA 15388 USA	
TITLE: YK-GX15 + Prophile M Assembly	
A SHEET 1 OF 1	SCALE: 1:12
DWG. NO. 820-300-046	REV 1