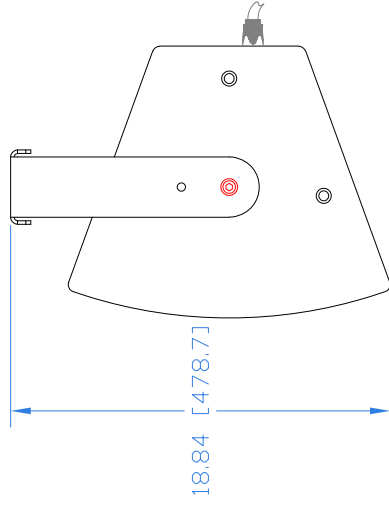
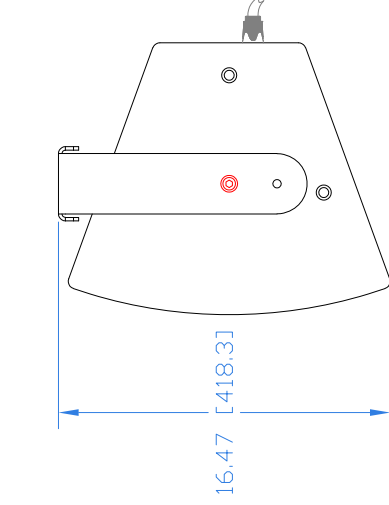


Notes:  
 The YK-GX12 yoke bracket is designed to mount GX12 Series loudspeakers in a horizontal orientation. It is fitted with two mounting holes which allow the installer to vary the distance between the loudspeaker enclosure and the mounting surface.

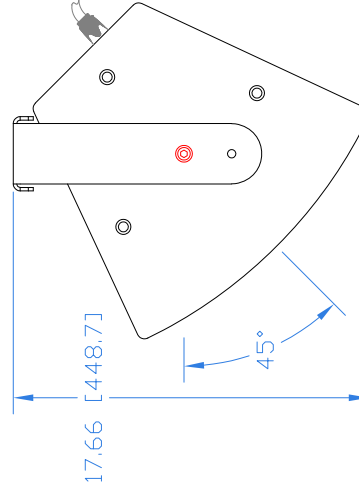
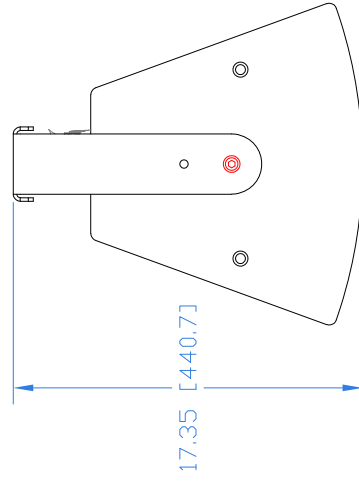
Note that the range of motion is restricted when the enclosure is mounted closer to the yoke. The maximum range of motion is achieved when the enclosure is mounted to the holes nearest the end of the bracket arms.



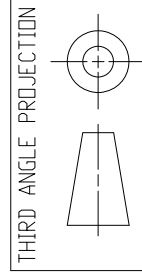
MOUNTING POSITION 1



MOUNTING POSITION 2



REV	DESCRIPTION	APPR / DATE
1	NEW ISSUE	RAF 06/26/20



THIS DRAWING IS THE PROPERTY OF FULCRUM ACOUSTIC AND SHALL NOT BE COPIED, REPRODUCED, OR USED AS THE BASIS FOR MANUFACTURE OR SALE OF APPARATUS WITHOUT WRITTEN AUTHORIZATION.  
 DO NOT SCALE DRAWING.

UNLESS OTHERWISE SPECIFIED:  
 ALL DIMENSIONS ARE IN INCHES  
 TOLERANCE IN INCHES  
 .XX±.015 .XXX±.005  
 FRACTIONS ±1/32  
 ANGLES ±1/2°

(XXX) = REF DIMS NO TOLERANCE IMPLIED  
 TSC = THEORETICAL SHARP CORNER  
 DIMENSIONS ACROSS CENTERLINES  
 TO BE SYMMETRICAL

STATUS RELEASED

APPROVALS

DATE

RAF

06/26/20

DWG

06/30/20

DES ENG:

MFG ENG:

FULCRUM ACOUSTIC, LLC  
 670 LINWOOD AVE, WHITINSVILLE, MA 01588 USA

TITLE:  
 Mechanical Spec,  
 YK-GX12 + GX12xx Assembly

A SHEET 1 OF 1 SCALE: 1:8

DWG. NO. 820-300-033 REV 1