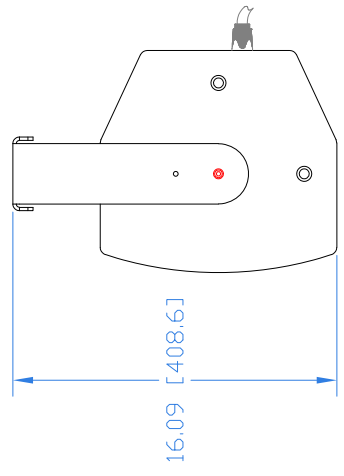


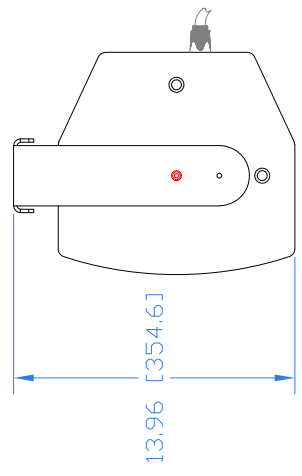
REVISIONS		
REV	DESCRIPTION	APPR / DATE
1	NEW ISSUE	RAF 01/19/21

Notes:
 The YK-DX8 yoke bracket is designed to mount DX8 Series loudspeakers in a horizontal orientation. It is fitted with two mounting holes which allow the installer to vary the distance between the loudspeaker enclosure and the mounting surface.

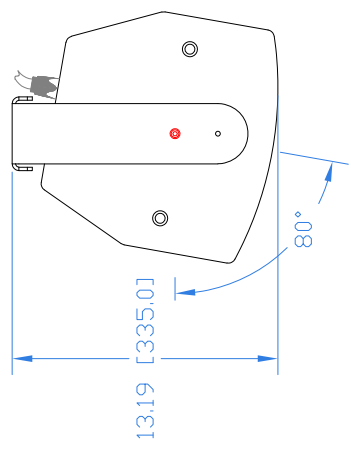
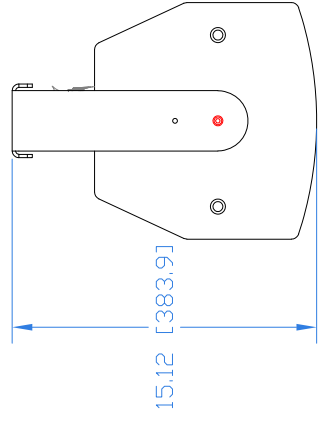
Note that the range of motion is restricted when the enclosure is mounted closer to the yoke. The maximum range of motion is achieved when the enclosure is mounted to the holes nearest the end of the bracket arms.



MOUNTING POSITION 1



MOUNTING POSITION 2



THIRD ANGLE PROJECTION

THIS DRAWING IS THE PROPERTY OF FULCRUM ACOUSTIC AND SHALL NOT BE COPIED, REPRODUCED, OR USED AS THE BASIS FOR MANUFACTURE OR SALE OF APPARATUS WITHOUT WRITTEN AUTHORIZATION.
 DO NOT SCALE DRAWING.

UNLESS OTHERWISE SPECIFIED:
 ALL DIMENSIONS ARE IN INCHES
 TOLERANCE IN INCHES
 .X±.1 .XX±.015 .XXX±.005
 FRACTIONS ±1/32
 ANGLES ±1/2°
 (X.XX) = REF DIMS NO TOLERANCE IMPLIED
 TSC = THEORETICAL SHARP CORNER
 DIMENSIONS ACROSS CENTERLINES
 TO BE SYMMETRICAL

STATUS		RELEASED	
APPROVALS	DATE		
RAF	01/19/21		
DRAWN:	RAF		
CHECKED:			
DES ENG:			
MFG ENG:			

FULCRUM ACOUSTIC, LLC
 670 LINWOOD AVE. WHITINSVILLE, MA 01588 USA

TITLE:
 Mechanical Spec,
 YK-DX8 + DX8xx Assembly

A SHEET 1 OF 1 SCALE: 1:8

DWG. NO. 820-300-041 REV 1