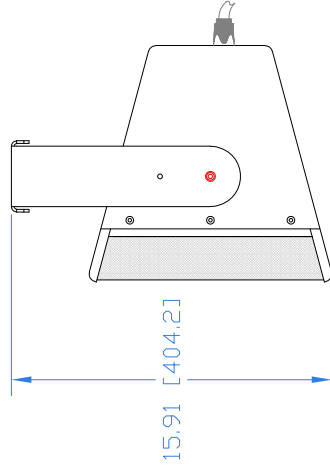


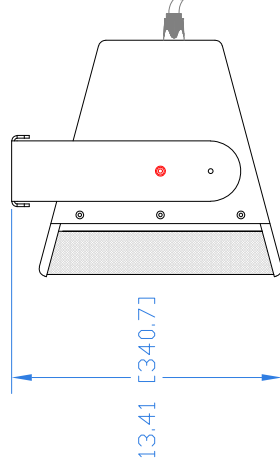
Notes:

The YK-CX8 yoke bracket is designed to mount CX8 & CCX8 Series loudspeakers in a horizontal orientation. It is fitted with two mounting holes which allow the installer to vary the distance between the loudspeaker enclosure and the mounting surface.

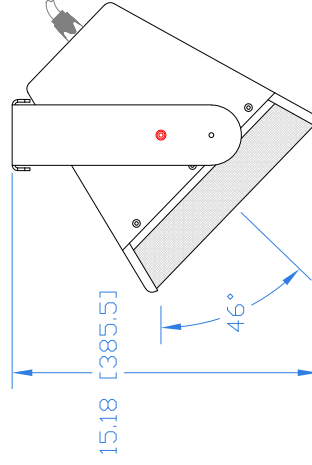
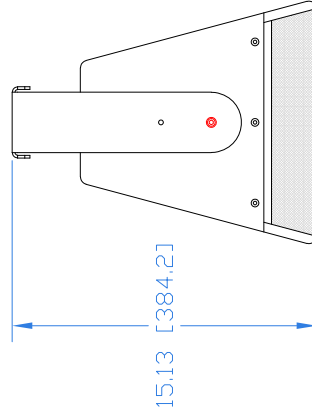
Note that the range of motion is restricted when the enclosure is mounted closer to the yoke. The maximum range of motion is achieved when the enclosure is mounted to the holes nearest the end of the bracket arms.



MOUNTING POSITION 1

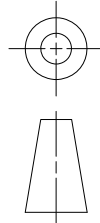


MOUNTING POSITION 2



REV	DESCRIPTION	APPR / DATE
1	NEW ISSUE	RAF 01/12/21
2	ADD CCX8 REF TO NOTES	RAF 06/30/22

THIRD ANGLE PROJECTION



THIS DRAWING IS THE PROPERTY OF FULCRUM ACOUSTIC AND SHALL NOT BE COPIED, REPRODUCED, OR USED AS THE BASIS FOR MANUFACTURE OR SALE OF APPARATUS WITHOUT WRITTEN AUTHORIZATION.  
DO NOT SCALE DRAWING.

UNLESS OTHERWISE SPECIFIED:  
ALL DIMENSIONS ARE IN INCHES

TOLERANCE IN INCHES  
.X±.1 .XX±.015 .XXX±.005  
FRACTIONS ±1/32  
ANGLES ±1/2°

(X.XXX) = REF DIMS NO TOLERANCE IMPLIED  
TSC = THEORETICAL SHARP CORNER  
DIMENSIONS ACROSS CENTERLINES  
TO BE SYMMETRICAL

STATUS RELEASED

APPROVALS	DATE
RAF	01/12/21
CHECKED:	
DES ENG:	
MFG ENG:	



FULCRUM ACOUSTIC, LLC  
670 LINWOOD AVE. WHITINSVILLE, MA 01588 USA

TITLE:

Mechanical Spec,  
YK-CX8 + CX8xx Assembly

A SHEET 1 OF 1 SCALE: 1:8

DWG. NO. 820-300-029 REV 2