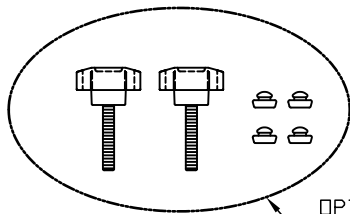
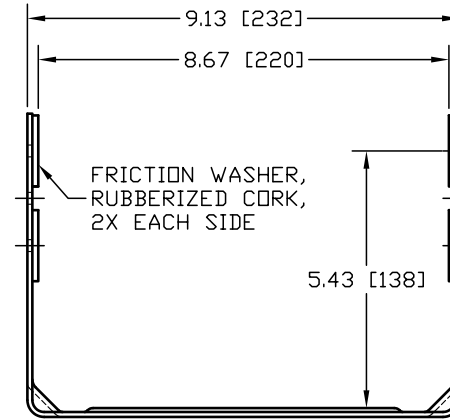
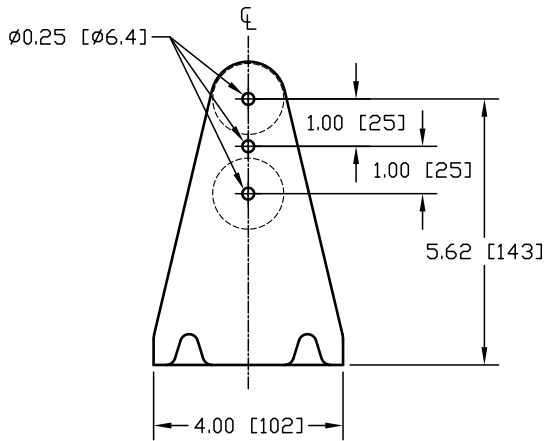


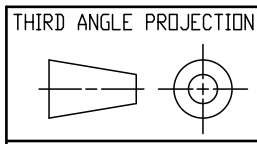
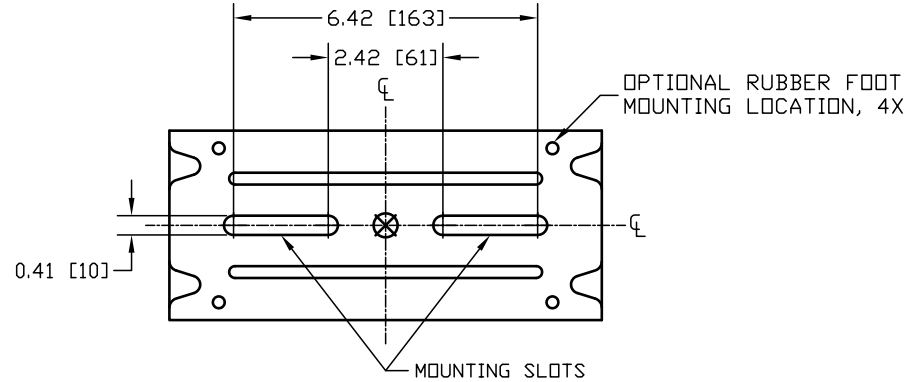
Notes:

1. FITS: RX599, RX599-MT60
2. WEIGHT: 2.0 LBS (0.9 KG)
3. INCLUDES TWO M6 SOCKET HEAD CAP SCREWS
4. SYMBOL \otimes = $\varnothing 0.51$ [$\varnothing 12.9$] HOLE FOR USE WITH USER-SUPPLIED THREADED ROD OR TRUSS CLAMP

REVISIONS		
REV	DESCRIPTION	APPR / DATE
1	NEW ISSUE	4/30/12
2	ADDED NOTES RE: FLOOR STND KIT	7/19/12



OPTIONAL FLOOR STAND KIT INCLUDES 2X THREADED KNOBS & 4X RUBBER FEET



THIS DRAWING IS THE PROPERTY OF FULCRUM ACOUSTIC, AND SHALL NOT BE COPIED, REPRODUCED, OR USED AS THE BASIS FOR MANUFACTURE OR SALE OF APPARATUS WITHOUT WRITTEN AUTHORIZATION. DO NOT SCALE DRAWING.

UNLESS OTHERWISE SPECIFIED: ALL DIMENSIONS ARE IN INCHES

TOLERANCE IN INCHES:
 .X±.1 .XX±.015 .XXX±.005
 FRACTIONS ±1/32
 ANGLES ±1/2°

(X.XX) = REF DIMS NO TOLERANCE IMPLIED

TSC = THEORETICAL SHARP CORNER

DIMENSIONS ACROSS CENTERLINES TO BE SYMMETRICAL

STATUS		RELEASED
APPROVALS	DATE	
DRAWN:	RAF	4/30/12
CHECKED:	DWG	4/30/12
DES ENG:		
MFG ENG:		

FULCRUM ACOUSTIC, LLC
 670 LINWOOD AVE, LINWOOD, MA 01525 USA

TITLE: MECH. SPEC., YK905

A SHEET 1 OF 1 SCALE: 1:4
 DWG. NO. 820-300-015 REV 2