

4

3

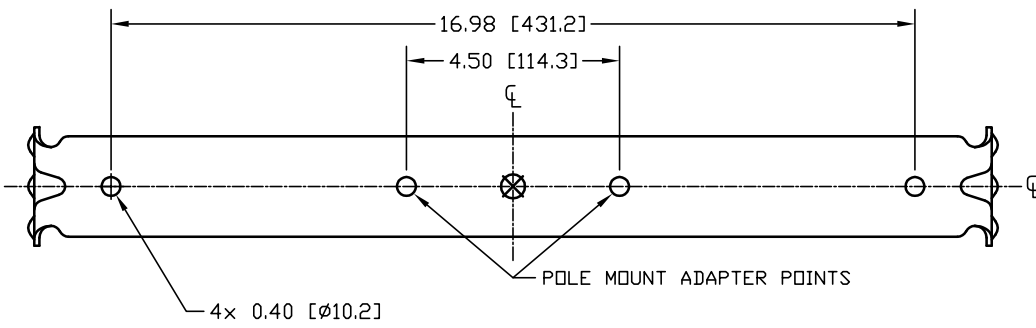
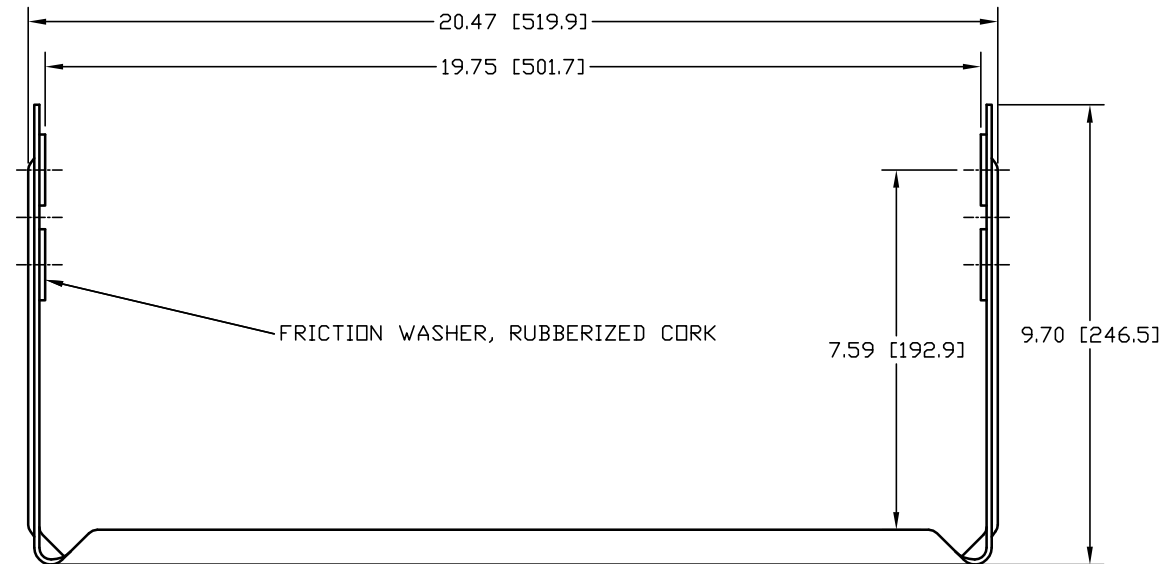
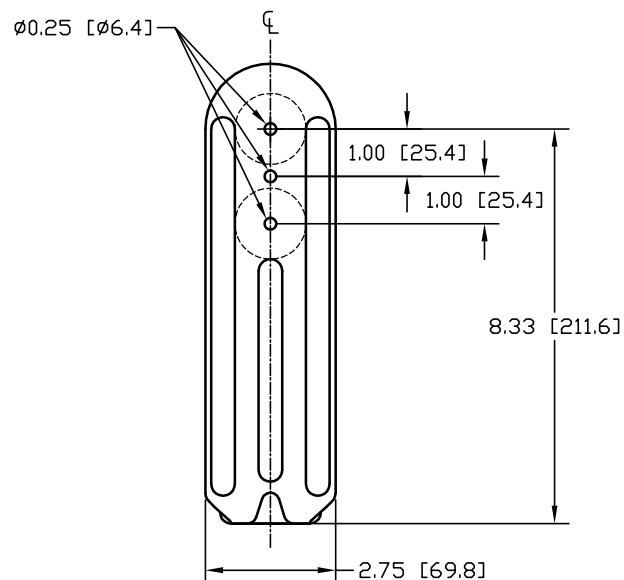
2

1

Notes:

- 1. FITS: DX896
- 2. WEIGHT: 2.8 LBS (1.3 KG)
- 3. INCLUDES TWO M6 SOCKET HEAD CAP SCREWS
- 4. SYMBOL \otimes = $\varnothing 0.51$ [$\varnothing 12.9$] HOLE FOR USE WITH USER-SUPPLIED THREADED ROD OR TRUSS CLAMP

REVISIONS		
REV	DESCRIPTION	APPR / DATE
1	NEW ISSUE	6/24/10
2	ADD DIMS AND APP NOTES	8/25/11
3	UPDATE TO 1 PIECE CONSTRUCTION	12/01/15



<p>THIRD ANGLE PROJECTION</p>	<p>UNLESS OTHERWISE SPECIFIED: ALL DIMENSIONS ARE IN INCHES</p> <p>TOLERANCE IN INCHES: .X±.1 .XX±.015 .XXX±.005 FRACTIONS ±1/32 ANGLES ±1/2°</p> <p>(X.XX) = REF DIMS NO TOLERANCE IMPLIED</p> <p>TSC = THEORETICAL SHARP CORNER</p> <p>DIMENSIONS ACROSS CENTERLINES TO BE SYMMETRICAL</p>	<p>STATUS RELEASED</p>		<p>FULCRUM ACOUSTIC, LLC 670 LINWOOD AVE, LINWOOD, MA 01525 USA</p>
		<p>APPROVALS</p> <p>DRAWN: DWG</p> <p>CHECKED: RAF</p> <p>DES ENG:</p> <p>MFG ENG:</p>	<p>DATE</p> <p>6/24/10</p> <p>6/28/10</p>	
<p>THIS DRAWING IS THE PROPERTY OF FULCRUM ACOUSTIC, AND SHALL NOT BE COPIED, REPRODUCED, OR USED AS THE BASIS FOR MANUFACTURE OR SALE OF APPARATUS WITHOUT WRITTEN AUTHORIZATION. DO NOT SCALE DRAWING.</p>		<p>SCALE: 1:4</p>		<p>DWG. NO. 820-300-004</p>
				<p>REV 3</p>

4

3

2

1

D

D

C

C

B

B

A

A