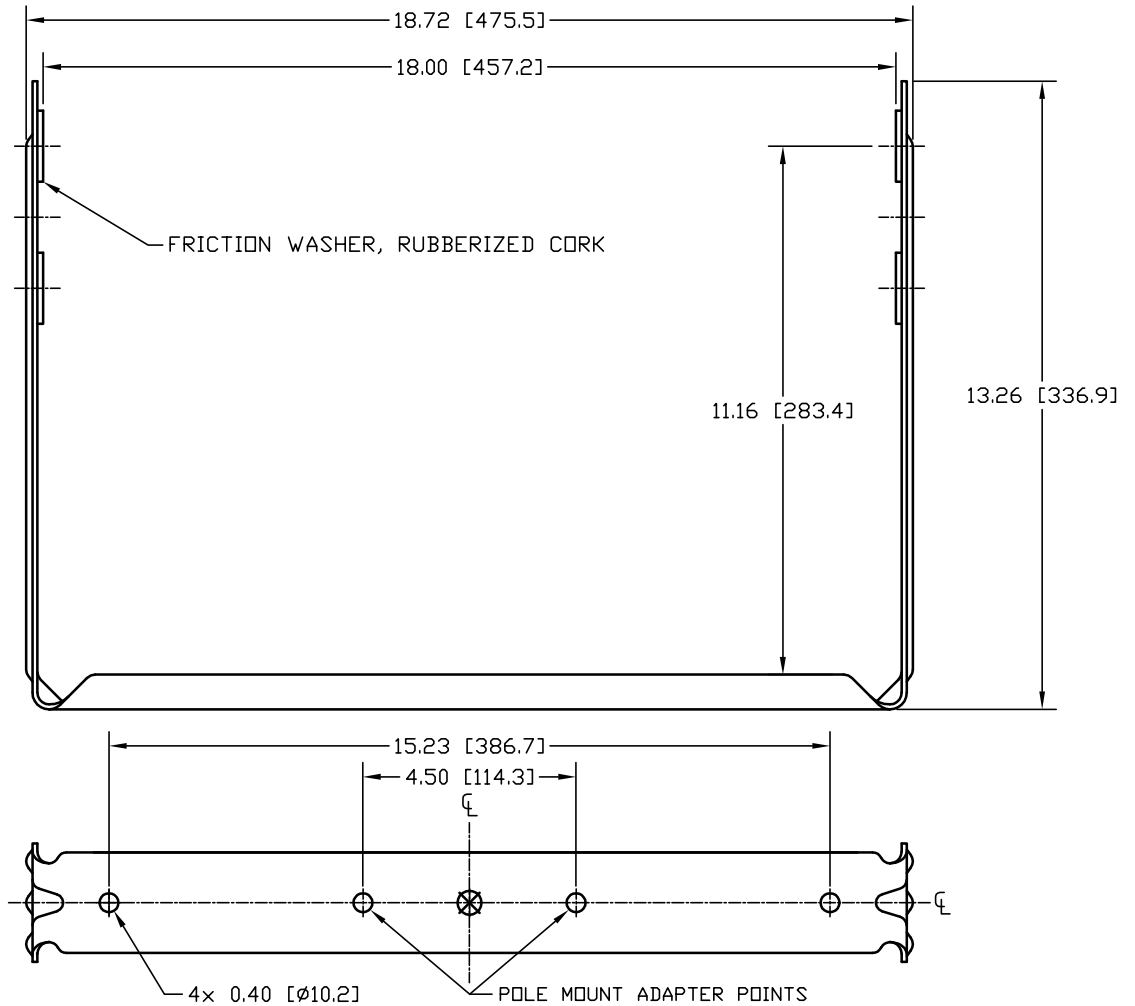
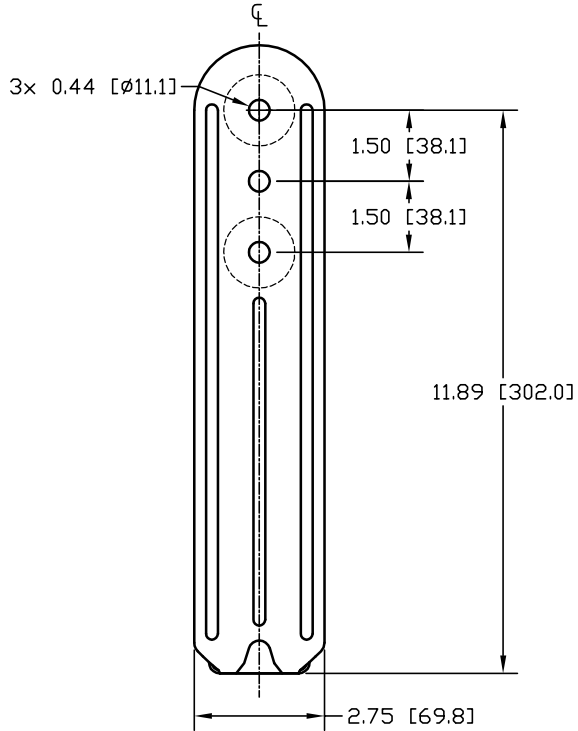


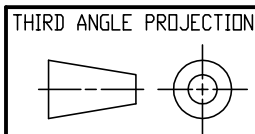
Notes:

1. FITS: CX1226, CX1265, CX1277, CX1295
2. WEIGHT: 4.0 LBS (1.8 KG)
3. INCLUDES TWO M10 SOCKET HEAD CAP SCREWS
4. SYMBOL  $\otimes$  =  $\phi 0.51$  [ $\phi 12.9$ ] HOLE FOR USE WITH USER-SUPPLIED THREADED ROD OR TRUSS CLAMP



REVISIONS

REV	DESCRIPTION	APPR / DATE
2	ADD DIMS AND APP NOTES	8/25/11
3	UPDATE TO 1 PIECE CONSTRUCTION	3/13/15



THIS DRAWING IS THE PROPERTY OF FULCRUM ACOUSTIC, AND SHALL NOT BE COPIED, REPRODUCED, OR USED AS THE BASIS FOR MANUFACTURE OR SALE OF APPARATUS WITHOUT WRITTEN AUTHORIZATION. DO NOT SCALE DRAWING.

UNLESS OTHERWISE SPECIFIED: ALL DIMENSIONS ARE IN INCHES

TOLERANCE IN INCHES:  
 .X±.1 .XX±.015 .XXX±.005  
 FRACTIONS ±1/32  
 ANGLES ±1/2°

(X.XX) = REF DIMS NO TOLERANCE IMPLIED  
 TSC = THEORETICAL SHARP CORNER  
 DIMENSIONS ACROSS CENTERLINES TO BE SYMMETRICAL

STATUS		RELEASED
APPROVALS	DATE	
DRAWN:	DWG	6/14/10
CHECKED:	RAF	6/28/10
DES ENG:		
MFG ENG:		

**FULCRUM ACOUSTIC, LLC**  
 670 LINWOOD AVE, LINWOOD, MA 01525 USA

TITLE: MECH. SPEC., YK1811

**A** SHEET 1 OF 1 SCALE: 1:4

DWG. NO. 820-300-005 REV 3