

4

3

2

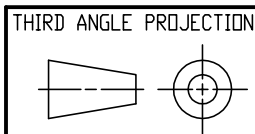
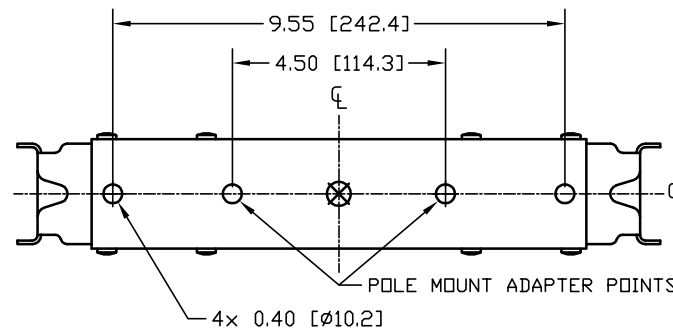
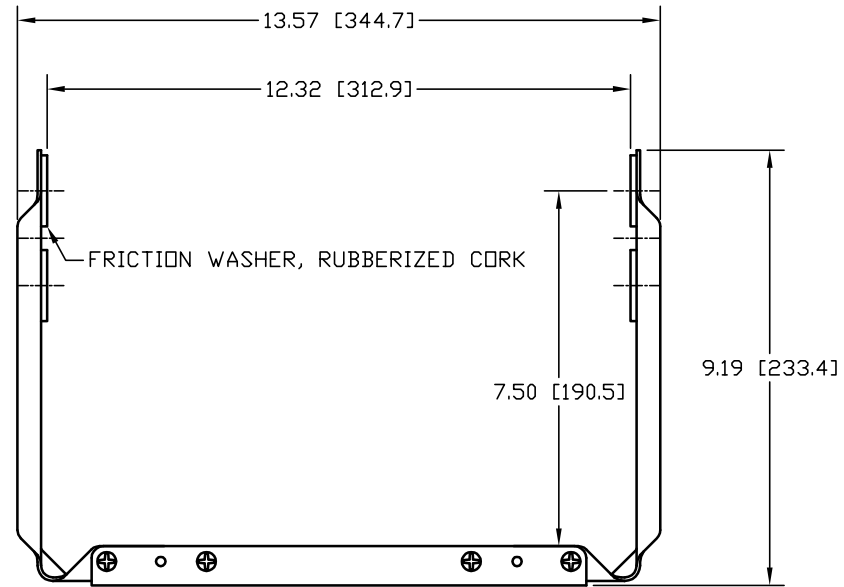
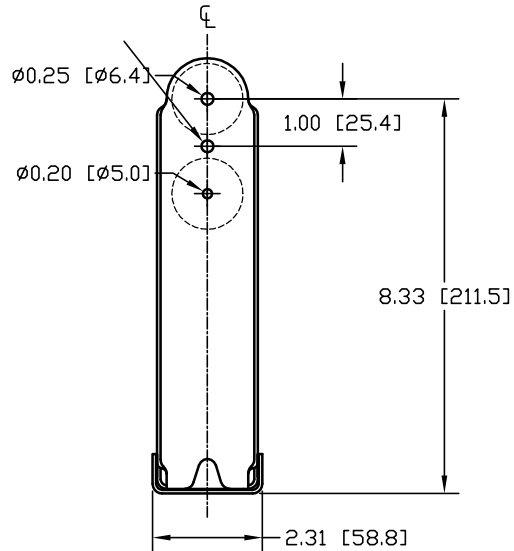
1

Notes:

- 1. FITS: PROPHILE P
- 2. WEIGHT: 2.0 LBS (0.9 KG)
- 3. INCLUDES TWO M6 SOCKET HEAD CAP SCREWS
- 4. SYMBOL \otimes = $\varnothing 0.51$ [$\varnothing 12.9$] HOLE FOR USE WITH USER-SUPPLIED THREADED ROD OR TRUSS CLAMP

REVISIONS

REV	DESCRIPTION	APPR / DATE
1	NEW ISSUE	6/26/10
2	ADD DIMS AND APP NOTES	8/25/11
3	GENERAL DRAWING UPDATES	1/14/16



THIS DRAWING IS THE PROPERTY OF FULCRUM ACOUSTIC, AND SHALL NOT BE COPIED, REPRODUCED, OR USED AS THE BASIS FOR MANUFACTURE OR SALE OF APPARATUS WITHOUT WRITTEN AUTHORIZATION. DO NOT SCALE DRAWING.

UNLESS OTHERWISE SPECIFIED: ALL DIMENSIONS ARE IN INCHES

TOLERANCE IN INCHES:
 .X±.1 .XX±.015 .XXX±.005
 FRACTIONS ±1/32
 ANGLES ±1/2°

(X.XX) = REF DIMS NO TOLERANCE IMPLIED
 TSC = THEORETICAL SHARP CORNER
 DIMENSIONS ACROSS CENTERLINES TO BE SYMETRICAL

STATUS		RELEASED
APPROVALS	DATE	
DRAWN:	DWG	6/26/10
CHECKED:	RAF	6/28/10
DES ENG:		
MFG ENG:		

 FULCRUM ACOUSTIC, LLC
 670 LINWOOD AVE, LINWOOD, MA 01525 USA

TITLE: MECH. SPEC., YK1308

A SHEET 1 OF 1 SCALE: 1:4
 DWG. NO. 820-300-001 REV 3

4

3

2

1

D

D

C

C

B

B

A

A